

Used for cutting and crushing concrete with steel reinforcement and cutting steel structures, the **KINSHOFER** Multi-Quick Processor with DemaPower and DemaLink was developed for primary and secondary demolition. It has seven convenient jaw options: combi, demolition, pulveriser, steel, tank, universal and wood jaws.

- ▷ The patented DemaPower cylinder provides **up to 20% more power** and reduces **cycle times to under 5 seconds**.
- ▷ **Rotation circuit filters.**
- ▷ Twin rotation motors for **extra rotation power**.
- ▷ Guide plate at pivot point for more **precise alignment** and **greater jaw stability**.
- ▷ **All teeth and cutting blades are exchangeable.**
- ▷ Bearing points engineered for **optimum load handling** and **reduced wear**.
- ▷ With the integrated DemaLink the **jaw set can be exchanged** on site in **less than 10 minutes**.



MQP with Combi-jaws

Multi-Quick Processor MQP without jaws

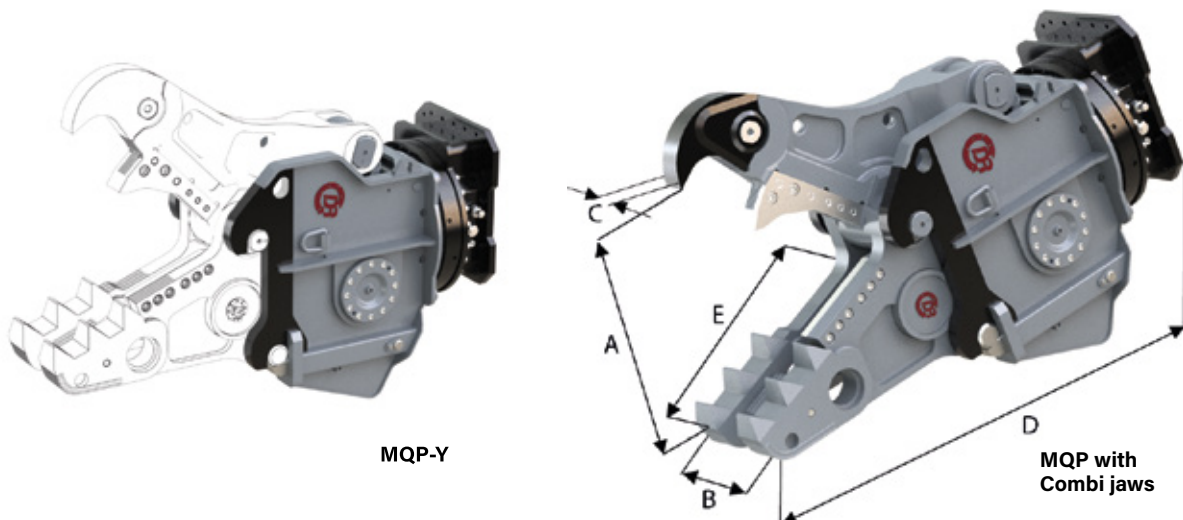
Type	Operating weight (t/lbs)	Weight (kg/lbs)	Height (mm/in)	Width (mm/in)	Depth (mm/in)	Cycle times (open / close) (sec)
MQP-25-Y	18-25 / 39600-55000	1215 / 2673	1095 / 43.1	640 / 25.2	1130 / 44.5	1,5 / 2,3
MQP-30-Y	22-35 / 48400-77000	1490 / 3278	1205 / 47.4	720 / 28.3	1190 / 46.9	2,0 / 2,3
MQP-45-Y	32-50 / 70400-110000	1825 / 4015	1330 / 52.4	720 / 28.3	1290 / 50.8	2,0 / 2,9

Package consists of: Multi-Quick Processor, integrated rotation with 2 motors

Requirements of carrier machine

	MQP-25	MQP-30	MQP-45
Operating pressure (open/close):	max. 38 MPa (380 bar) / 5510psi	max. 38 MPa (380 bar) / 5510psi	max. 38 MPa (380 bar) / 5510psi
Pump capacity (open/close):	120 - max. 200 l/min/ 32 - max. 53GPM	150 - max. 250 l/min/ 40 - max. 66GPM	200 - max. 300 l/min/ 53 - max. 79.5GPM
Operating pressure (rotate):	max. 14 MPa (140 bar) / 2030psi	max. 14 MPa (140 bar) / 2030psi	max. 14 MPa (140 bar) / 2030psi
Pump capacity (rotate):	40 - max. 60 l/min/ 10.5 - max. 16GPM	40 - max. 60 l/min/ 10.5 - max. 16GPM	40 - max. 60 l/min/ 10.5 - max. 16GPM

Technical drawing

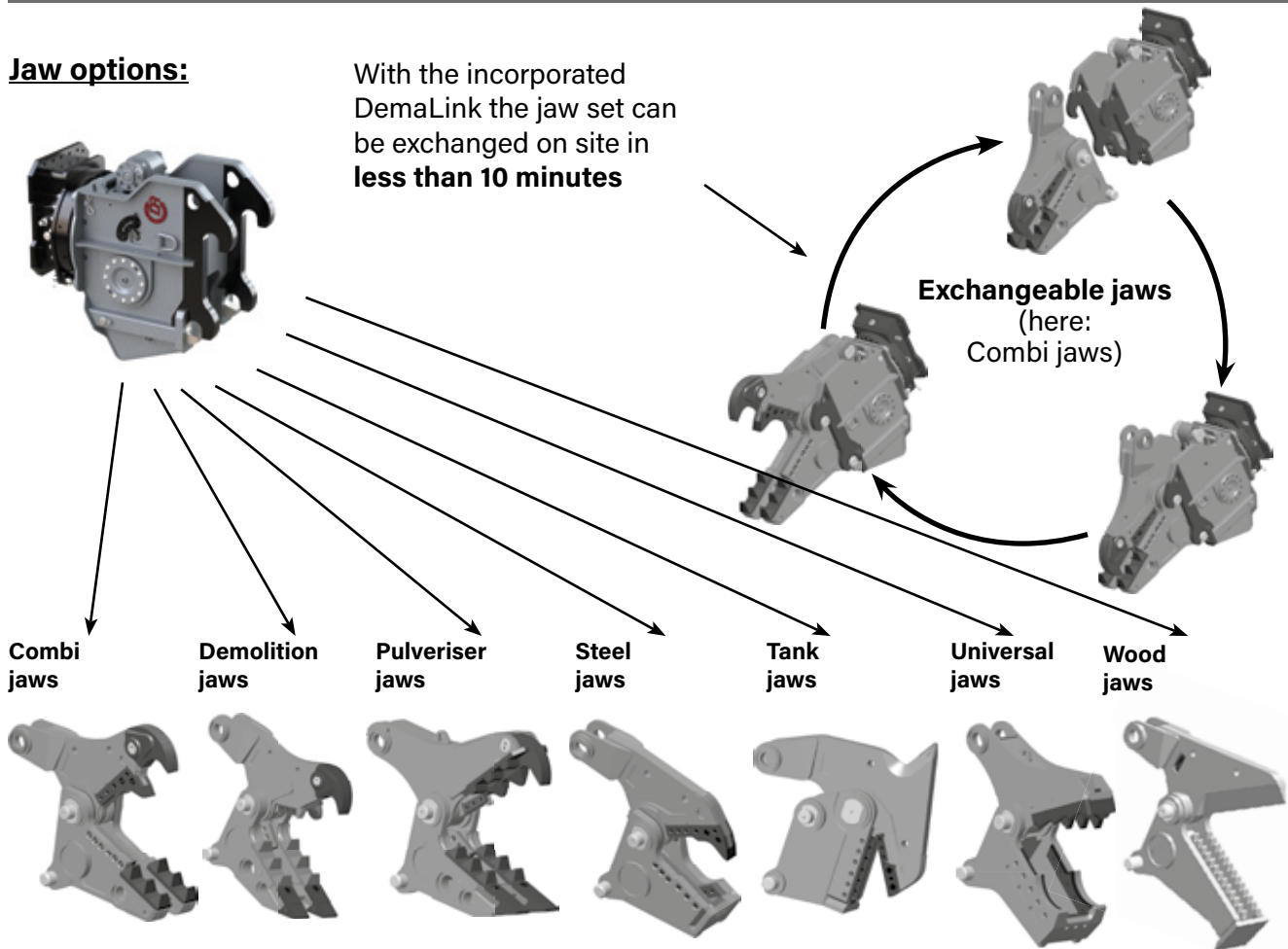


MQP-Y

MQP with Combi jaws

Jaw options:

With the incorporated DemaLink the jaw set can be exchanged on site in **less than 10 minutes**



Multi-Quick Processor Jaws										
Type	Operating weight (t/lbs)	Weight (complete with yoke) (kg/lbs)	Weight jaw set (kg/lbs)	Closing force* (t/lbs)	Jaw opening A (mm/in)	Jaw depth E (mm/in)	Lower jaw width B (mm/in)	Upper jaw width C (mm/in)	Height D (mm/in)	
Combi jaws:										
MQP-25-C	18-25 / 39600-55000	2060 / 4532	845 / 1859	85 / 187000	785 / 30.9	810 / 31.9	375 / 14.8	90 / 3.5	1940 / 76.4	
MQP-30-C	22-35 / 48400-77000	2680 / 5896	1190 / 2618	100 / 220000	870 / 34.3	920 / 36.2	440 / 17.3	100 / 3.9	2155 / 84.8	
MQP-45-C	32-50 / 70400-110000	3365 / 7403	1540 / 3388	130 / 286000	980 / 38.6	990 / 39.0	450 / 17.7	100 / 3.9	2360 / 92.9	
Demolition jaws:										
MQP-25-D	18-25 / 39600-55000	2085 / 4587	870 / 1914	90 / 198000	815 / 32.1	810 / 31.9	460 / 18.1	90 / 3.5	1980 / 78	
MQP-30-D	22-35 / 48400-77000	2690 / 5918	1200 / 2640	105 / 231000	870 / 34.3	900 / 35.4	470 / 18.5	100 / 3.9	2160 / 85	
MQP-45-D	32-50 / 70400-110000	340 / 7491	1580 / 3476	130 / 286000	990 / 39	960 / 37.8	515 / 20.3	100 / 3.9	2355 / 92.7	
Pulveriser jaws:										
MQP-25-P	18-25 / 39600-55000	2100 / 4620	885 / 1947	85 / 187000	790 / 31.1	810 / 31.9	400 / 15.7	325 / 12.8	1980 / 78.0	
MQP-30-P	22-35 / 48400-77000	2665 / 5863	1175 / 2585	100 / 220000	880 / 34.6	830 / 32.7	470 / 18.5	350 / 13.8	2165 / 85.2	
MQP-45-P	32-50 / 70400-110000	3450 / 7590	1625 / 3575	130 / 286000	980 / 38.6	945 / 37.2	515 / 20.3	400 / 15.7	2355 / 92.7	
Steel jaws:										
MQP-25-S	18-25 / 39600-55000	1985 / 4367	770 / 1694	300 / 660000	370 / 14.6	560 / 22	320 / 12.6	100 / 3.9	1965 / 77.4	
MQP-30-S	22-35 / 48400-77000	2460 / 5412	970 / 2134	340 / 748000	410 / 16.1	600 / 23.6	355 / 14	120 / 4.7	1910 / 75.2	
MQP-45-S	32-50 / 70400-110000	3130 / 6886	1305 / 2871	415 / 913000	465 / 18.3	700 / 27.6	375 / 14.8	120 / 4.7	2105 / 82.9	
Tank jaws:										
MQP-25-T	18-25 / 39600-55000	2130 / 4686	915 / 2013	295 / 649000	333 / 13.1	570 / 22.4	265 / 10.4	100 / 3.9	1910 / 75.2	
MQP-30-T	22-35 / 48400-77000	2710 / 5962	1220 / 2684	360 / 792000	335 / 13.2	575 / 22.6	305 / 12	120 / 4.7	2070 / 81.5	
MQP-45-T	32-50 / 70400-110000	3320 / 7304	1495 / 3289	460 / 101200	390 / 15.4	630 / 24.8	305 / 12	120 / 4.7	2275 / 89.6	
Universal jaws:										
MQP-30-U	22-35 / 48400-77000	2640 / 5808	1150 / 2530	110 / 242000	590 / 23.2	790 / 31.1	500 / 19.7	280 / 11	2040 / 80.3	
MQP-45-U	32-50 / 70400-110000	3195 / 7029	1370 / 3015	145 / 319000	670 / 26.4	830 / 32.7	525 / 20.7	310 / 12.2	2225 / 87.6	
Wood jaws:										
MQP-30-W	22-35 / 48400-77000	2565 / 5643	1075 / 2365	85 / 187000	1005 / 39.6	880 / 34.6	360 / 14.2	90 / 3.5	2175 / 85.6	

* closing force for C-, D-, P-, U- and W-jaw measured at front tooth, for S- and T-jaw measured at mid point of inner blade

MQP

Multi-Quick Processors up to 65t / 143000lbs

Used for cutting and crushing concrete with steel reinforcement and cutting steel structures, the **KINSHOFER** Multi-Quick Processor with DemaPower and DemaLink was developed for primary and secondary demolition. It has six convenient jaw options: combi, demolition, pulveriser, steel, tank, universal and wood jaws.

- ▷ The patented DemaPower cylinder provides **up to 20% more power** and reduces **cycle times to under 5 seconds**.
- ▷ **Rotation circuit filters.**
- ▷ Twin rotation motors for **extra rotation power**.
- ▷ Guide plate at pivot point for more **precise alignment** and **greater jaw stability**.
- ▷ **All teeth and cutting blades are exchangeable.**
- ▷ Bearing points engineered for **optimum load handling** and **reduced wear**.
- ▷ With the integrated DemaLink the **jaw set can be exchanged** on site in **less than 10 minutes**.



MQP with Combi jaws

Multi-Quick Processor MQP without jaws

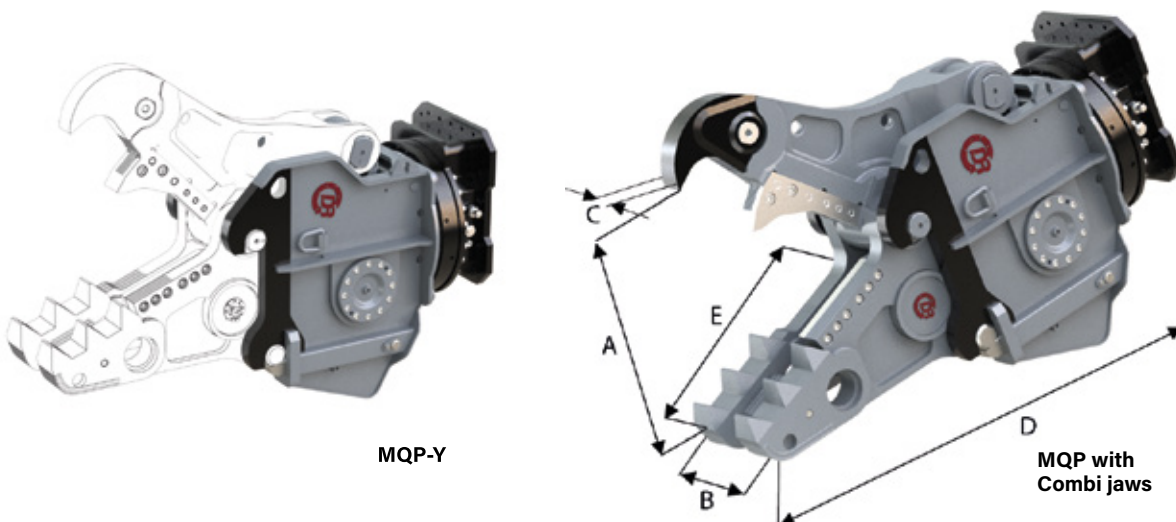
Type	Operating weight (t/lbs)	Weight (kg/lbs)	Height (mm/in)	Width (mm/in)	Depth (mm/in)	Cycle times (open / close) (sec)
MQP-45-Y	32-50 / 70400-110000	1825 / 4015	1330 / 52.4	720 / 28.3	1290 / 50.8	2,0 / 2,9
MQP-60-Y	45-65 / 99000-143000	2440 / 5368	1450 / 57.1	880 / 34.6	1485 / 58.5	2,0 / 2,8

Package consists of: Multi-Quick Processor, integrated rotation with 2 motors

Requirements of carrier machine

	MQP-45	MQP-60
Operating pressure (open/close):	max. 38 MPa (380 bar) / 5510psi	max. 38 MPa (380 bar) / 5510psi
Pump capacity (open/close):	200 - max. 300 l/min / 53.0 - max. 79.5GPM	300 - max. 400 l/min / 79.5 - max. 105.0GPM
Operating pressure (rotate):	max. 14 MPa (140 bar) / 2030psi	max. 14 MPa (140 bar) / 2030psi
Pump capacity (rotate):	40 - max. 60 l/min / 10.5 - max. 16.0GPM	40 - max. 60 l/min / 10.5 - max. 16.0GPM

Technical drawings

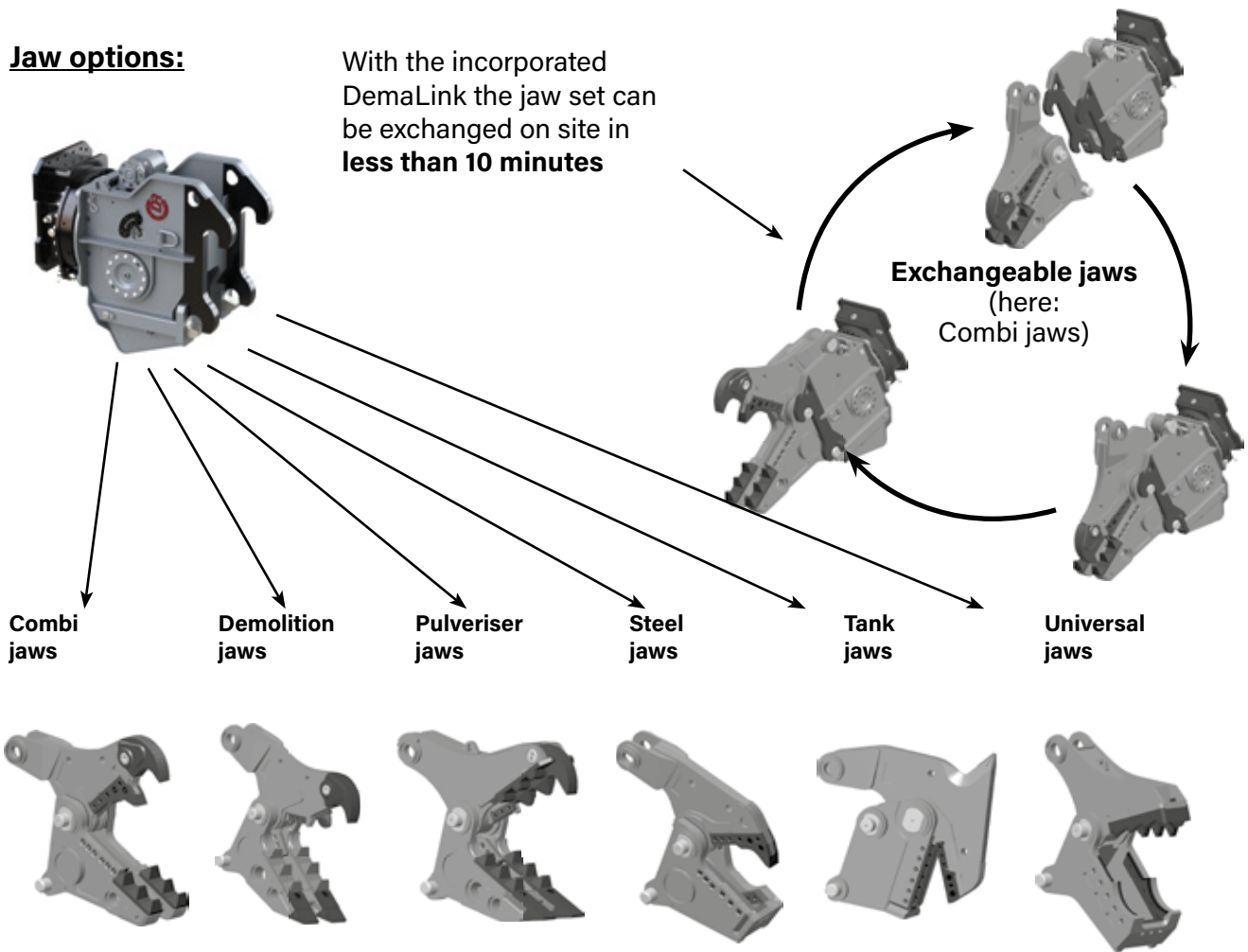


MQP-Y

MQP with Combi jaws

Jaw options:

With the incorporated DemaLink the jaw set can be exchanged on site in less than 10 minutes



Multi-Quick Processor Jaws

Type	Operating weight (t/lbs)	Weight (complete with yoke) (kg/lbs)	Weight jaw set (kg/lbs)	Closing force* (t/lbs)	Jaw opening A (mm/in)	Jaw depth E (mm/in)	Lower jaw width B (mm/in)	Upper jaw width C (mm/in)	Height D (mm/in)
Combi-Backen:									
MQP-45-C	32-50 / 70400-110000	3365 / 7403	1540 / 3388	130 / 286000	980 / 38.6	990 / 39	450 / 17.7	100 / 3.9	2360 / 92.9
MQP-60-C	45-65 / 99000-143000	4525 / 9955	2085 / 4587	150 / 330000	1150 / 45.3	1050 / 41.3	480 / 18.9	100 / 3.9	2600 / 102.4
Abbruch-Backen:									
MQP-45-D	32-50 / 70400-110000	3405 / 7491	1580 / 3476	130 / 286000	990 / 39	960 / 37.8	515 / 20.3	100 / 3.9	2355 / 92.7
MQP-60-D	45-65 / 99000-143000	4495 / 9889	2055 / 4521	150 / 330000	1175 / 46.3	1090 / 42.9	550 / 21.7	100 / 3.9	2620 / 103.1
Pulverisierer-Backen:									
MQP-45-P	32-50 / 70400-110000	3450 / 7590	1625 / 3575	130 / 286000	980 / 38.6	945 / 37.2	515 / 20.3	400 / 15.7	2355 / 92.7
MQP-60-P	45-65 / 99000-143000	4565 / 10043	2125 / 4675	150 / 330000	1150 / 45.3	1090 / 42.9	550 / 21.7	450 / 17.7	2620 / 103.1
Stahlschneide-Backen:									
MQP-45-S	32-50 / 70400-110000	3130 / 6886	1305 / 2871	415 / 913000	465 / 18.3	700 / 27.6	375 / 14.8	120 / 4.7	2105 / 82.9
MQP-60-S	45-65 / 99000-143000	4315 / 9493	1875 / 4125	465 / 1023000	540 / 21.3	750 / 29.5	410 / 16.1	120 / 4.7	2335 / 91.9
Tankschneide-Backen:									
MQP-45-T	32-50 / 70400-110000	3320 / 7304	1495 / 3289	460 / 1012000	390 / 15.4	630 / 24.8	305 / 12.0	120 / 4.7	2275 / 89.6
MQP-60-T	45-65 / 99000-143000	4460 / 9812	2020 / 4444	655 / 1441000	400 / 15.7	660 / 26.0	355 / 14.0	150 / 5.9	2415 / 95.1
Universal-Backen:									
MQP-45-U	32-50 / 70400-110000	3195 / 7029	1370 / 3014	145 / 319000	670 / 26.4	830 / 32.7	525 / 20.7	310 / 12.2	2225 / 87.6
MQP-60-U	45-65 / 99000-143000	4425 / 9735	1985 / 4367	180 / 396000	820 / 32.3	880 / 34.6	590 / 23.2	340 / 13.4	2470 / 97.2

* closing force for C-, D-, P-, U- and W-jaw measured at front tooth, for S- and T-jaw measured at mid point of inner blade